

Móz Walls - Tides Ocean Waves



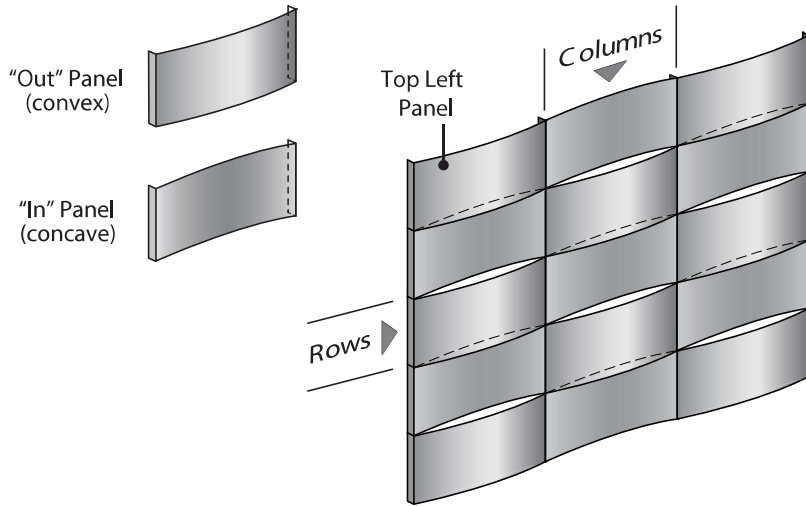
RFQ - Request for Quote

CONTACT INFORMATION

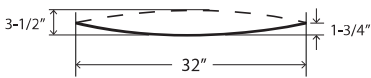
Company: _____
 Name: _____
 Address: _____
 City, State: _____ Zip: _____
 Phone: _____ Fax: _____
 Email: _____

PROJECT INFORMATION

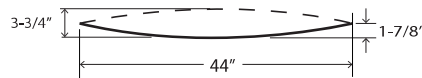
Date: _____
 Job Name: _____
 City/State: _____
 Install Date: _____ Bid Due Date: _____
 Ship To (Zip Code): _____
 Arch/Designer: _____



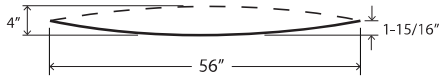
Standard Panel Sizes:



OWI232 - 12" X 32" KIT
OWI632 - 16" X 32" KIT



OWI244 - 12" X 44" KIT
OWI644 - 16" X 44" KIT
OW2444 - 24" X 44" KIT

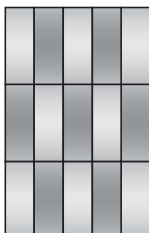


OW2456 - 24" X 56" KIT

Orientation:

Horizontal (H)

Vertical (V)



Grain direction on panels:

Standard



Cross-grain



STANDARD FEATURES

Quantity	Overall Size	
	Rows:	Columns:
Panel Size (please select one)		
<input type="checkbox"/> OWI232 - 12" X 32" KIT	<input type="checkbox"/> OWI244 - 12" X 44" KIT	
<input type="checkbox"/> OWI632 - 16" X 32" KIT	<input type="checkbox"/> OWI644 - 16" X 44" KIT	
<input type="checkbox"/> OW2456 - 24" X 56" KIT	<input type="checkbox"/> OW2444 - 24" X 44" KIT	
Top Left Panel	"Out"	"In"
Orientation Horizontal (H) or Vertical (V)	H	V
Color		
Grain		
Grain direction on panels (Directional grains only)	Standard	Cross-grain
Polycoat Finish Gloss (GL) or Matte (MT)	GL	MT

CUSTOM OPTIONS

Exterior Finish	Please Contact Us
Please describe below or contact us.	

rev. 10/2011