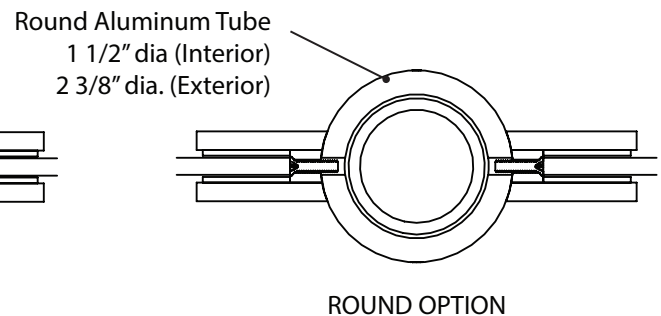
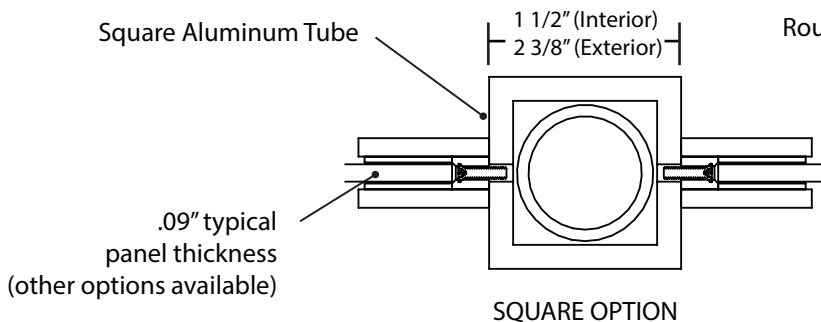
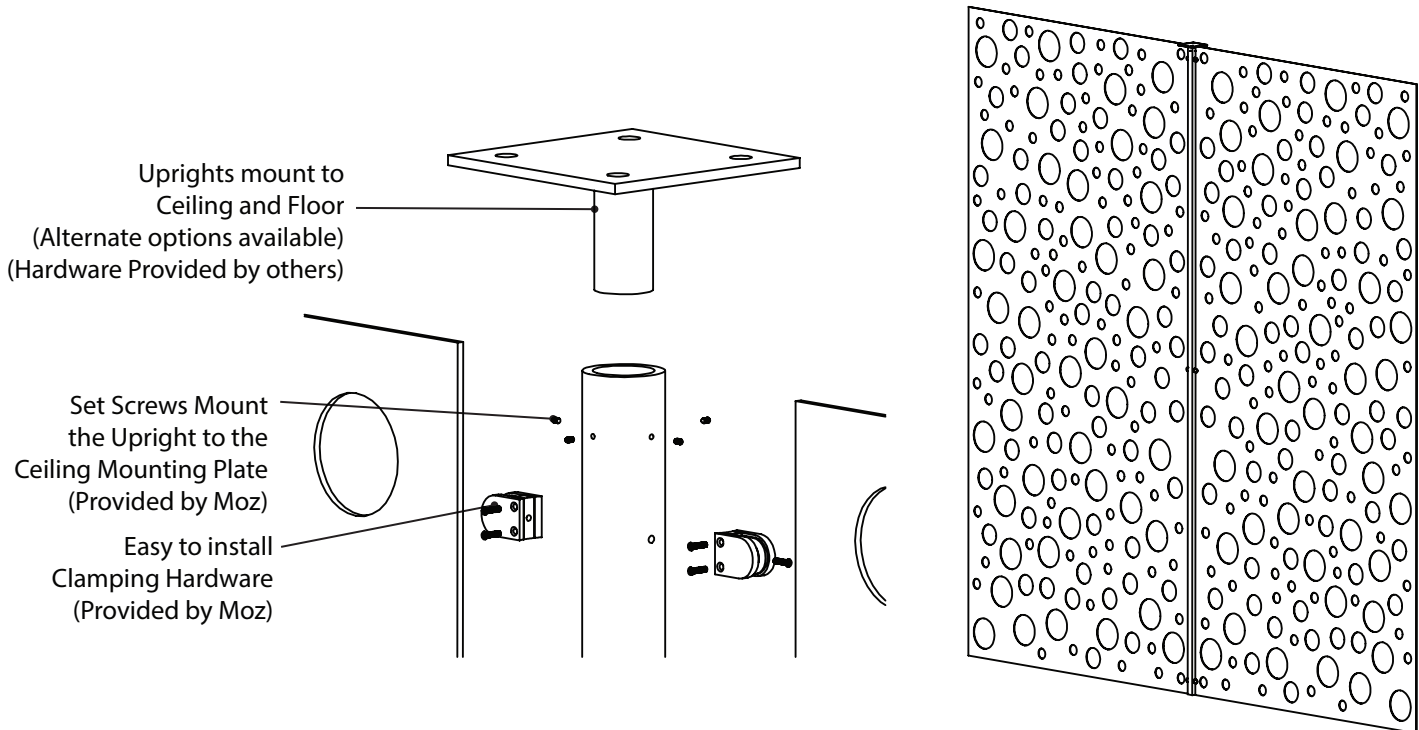


Móz Wall Panel System - MT-3

Clamp on Post for Divider Wall Applications



This system is typically used as a divider wall solution in either interior or exterior environments. Easy to install clamping hardware and floor-to-ceiling height adjustment makes this one of our most popular selections.



Standard Features

- Complete engineered system, packaged and shipped ready to install
- Decorate your panels with any of our Classic colors and grains
- Protective finishes are available, with gloss and satin options
- Round and Square Upright applications available.

Custom Features

- Custom Perforated or Laser Cut Patterns using Aluminum and Stainless Steel base materials also available
- Custom sizes and color matching available
- Design and fabrication for exterior applications available

Applications

- Healthcare
- Hospitality
- Transportation
- Corporate
- Institutional
- Remodels
- Tenant Improvements
- New Construction

Date: 8/21/2018