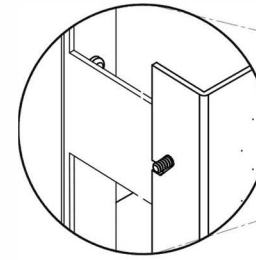
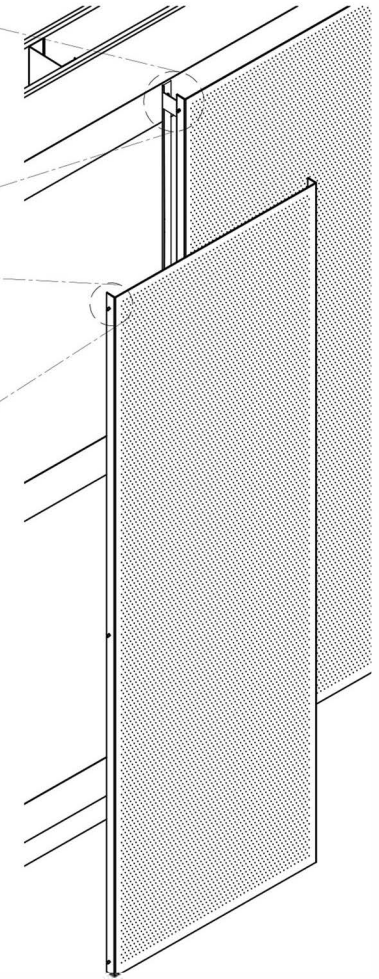
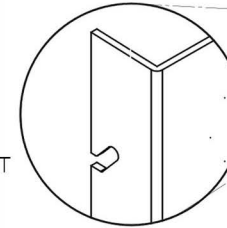


TYPICAL ABOVE THE DOOR PANEL INSTALL
EXPLODED VIEW

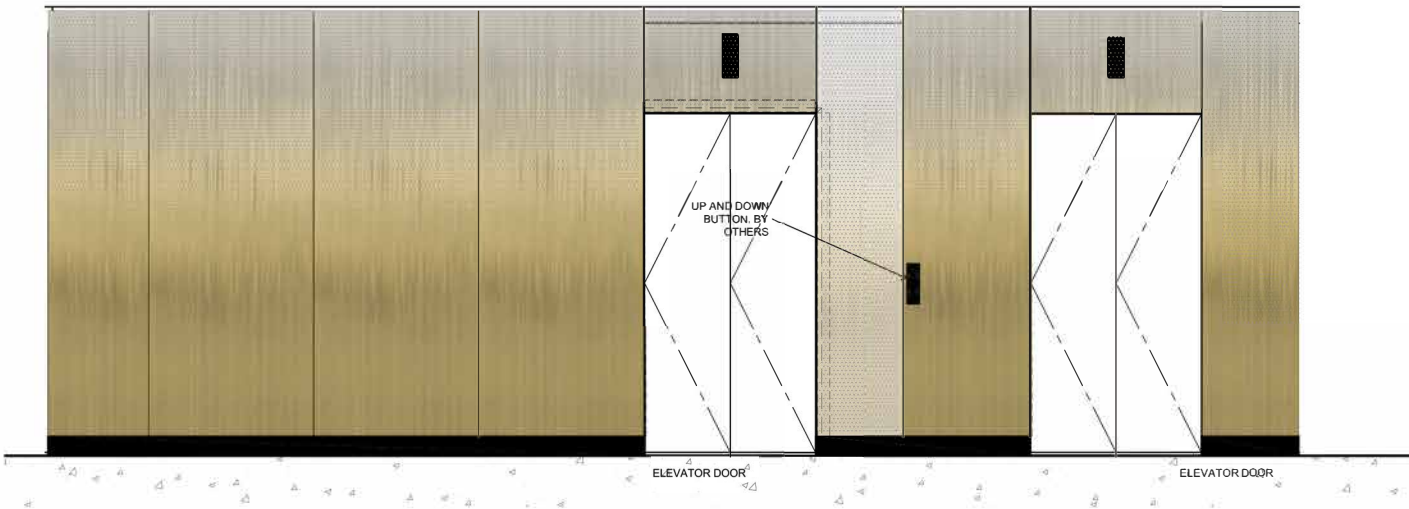
MOZ KEYSLOT
BRACKET & PIN



SLOT



TYPICAL PANEL INSTALL
EXPLODED VIEW



FRONT VIEW

NOTES:

Formed panels attach to supplied brackets using a drop slot type assembly. Panels and brackets are pre-formed, and finished. Brackets can be customized to vary in depth and allow for lighting to pass from panel to panel making this an ideal solution when back lighting. This customizable wall panel system delivers ready-to-install - saving both time and labor during installation.

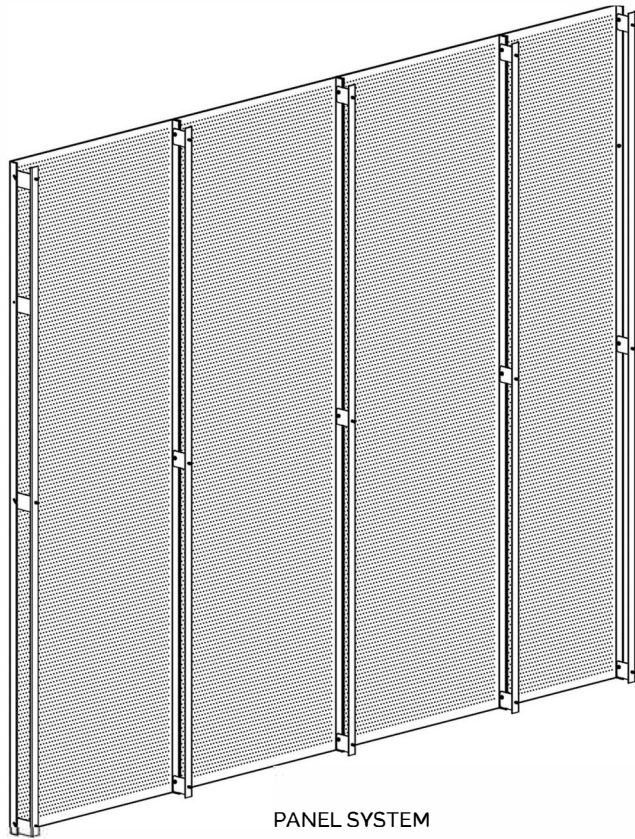
Móz Designs KeySlot Panel System

TITLE: Overview

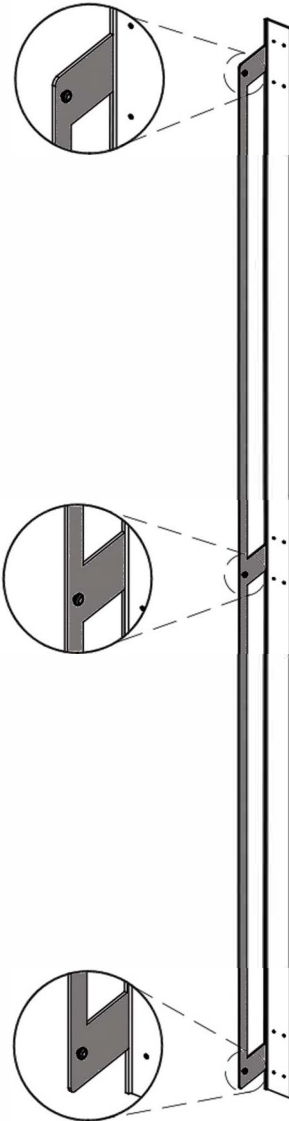
DATE: 05.21.21

1.1

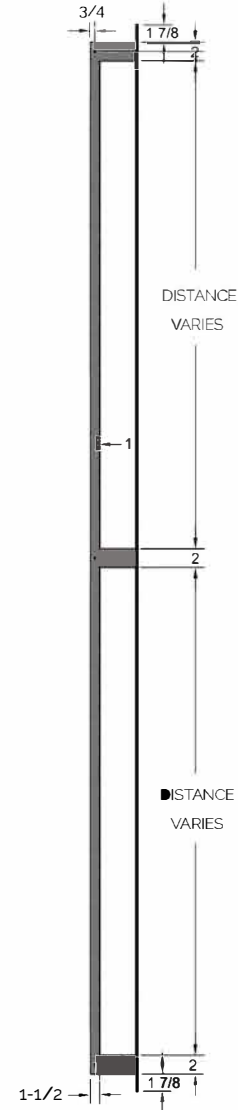




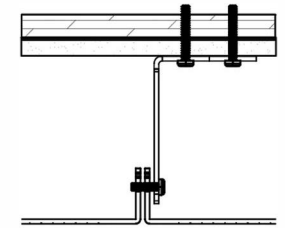
PANEL SYSTEM



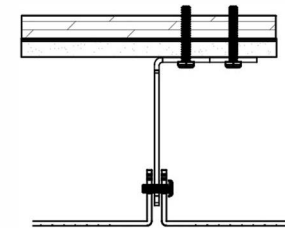
TYPICAL MOUNTING BRACKET



SIDE VIEW




SEAM MOUNTING OPTION

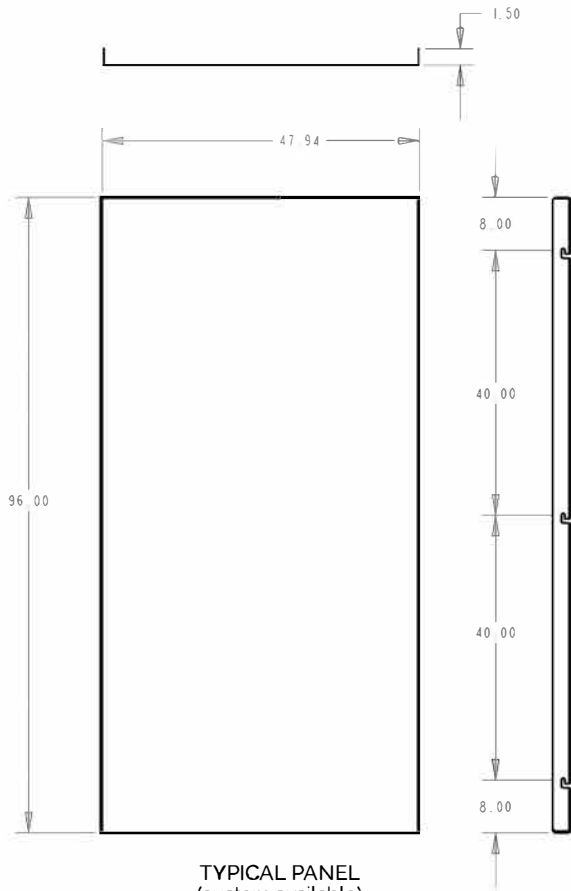


1/4" REVEAL MOUNTING OPTION

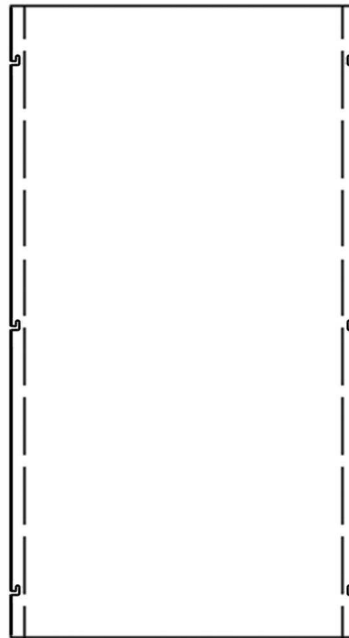
NOTES:

Brackets can be adjusted to allow for varying depths from the wall to allow for back lighting or necessary clearance. Depths vary from 3" to 8" as needed. Back lighting requires a minimum of 4" depth but a 6" depth would prove more economical. All brackets are laser cut for precision fit and can be customized for exterior applications.

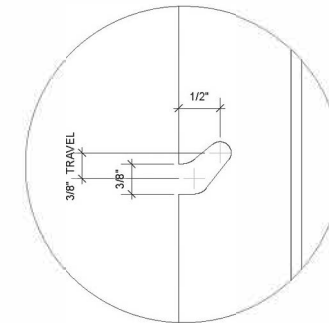
Móz Designs KeySlot Panel System			 mozdesigns.com
TITLE: Brackets	DATE: 05.21.21	1.2	



TYPICAL PANEL
(custom available)



FLAT VIEW



NOTES:

Panels are pre-formed with 1-1/2" returns on two sides.

Material thickness ranges from 1/8" to 1/4" Solid or Perforated/Laser Cut Aluminum.

For perforated/laser cut material, solid margins are kept around all sides.

Choose from our selection of standard Powder Coat finishes or Móz Signature Collections of Colors and grains.

Custom and Exterior finishes also available.