

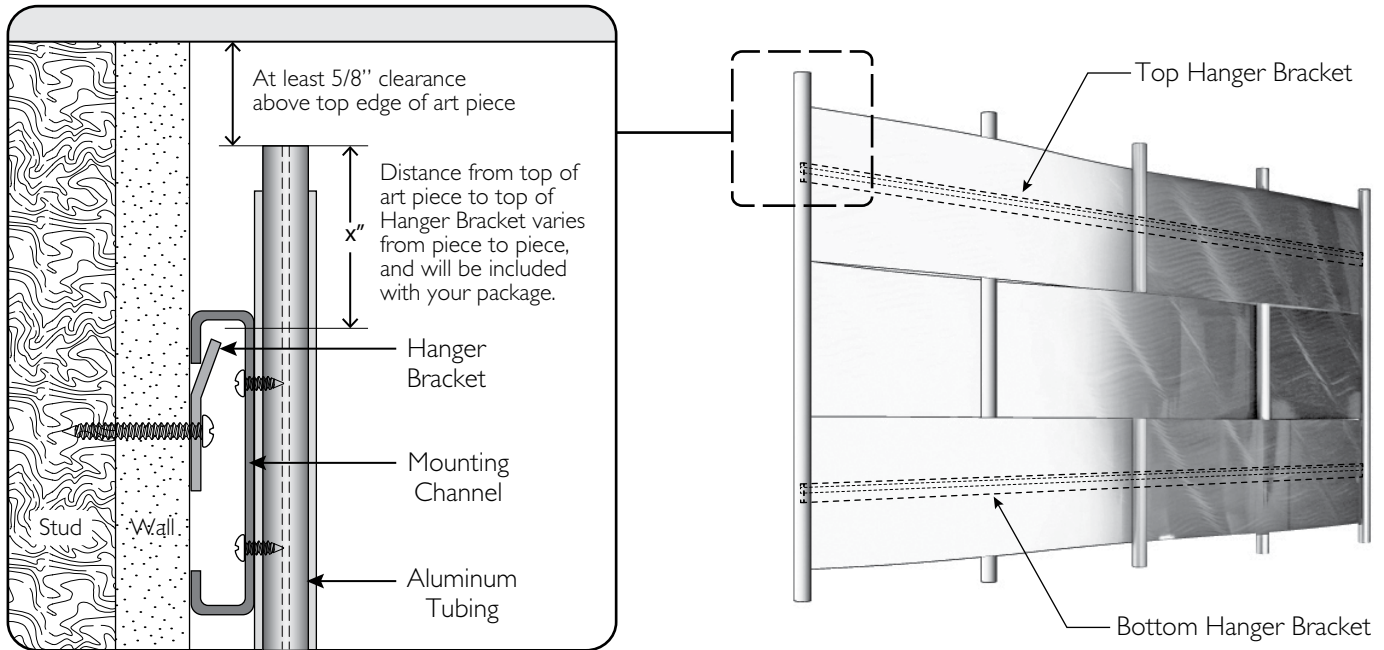
Installation Instructions

For Móz Weave Art - HORIZONTAL

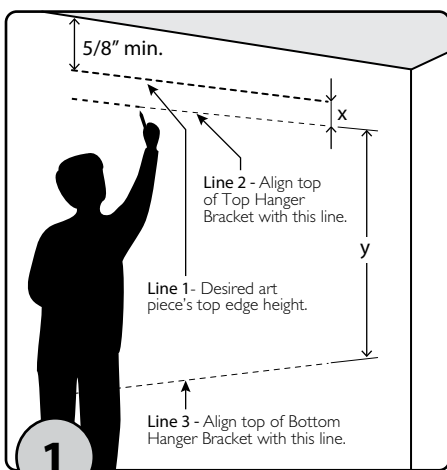


Móz Weave Art comes as a ready to hang and easy-to-install system consisting of pre-assembled single pieces that are easily attached to the wall using a wall clip-type system.

WALL ATTACHMENT SYSTEM

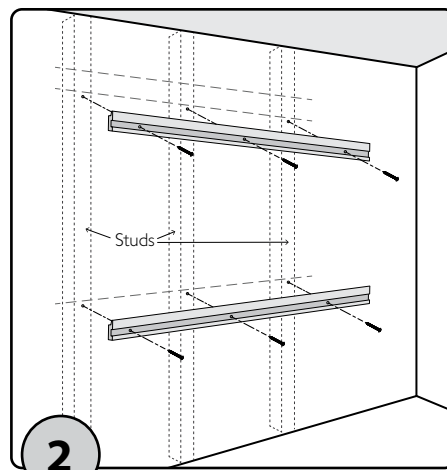


INSTALLATION STEPS:



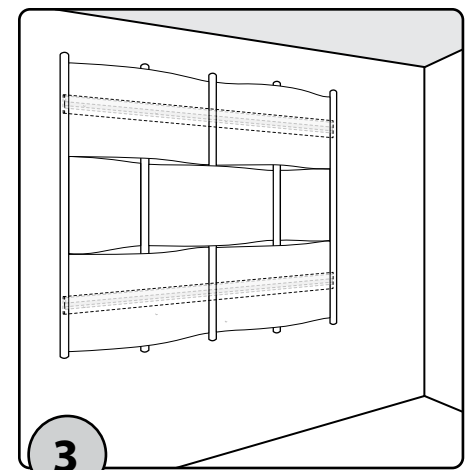
LAY IT OUT

Lay out the Móz Weave Art top edge on the wall, Line 1, leveled and at the desired height (you'll need at least a 5/8" clearance above the top edge of the art piece). Then lay out Lines 2 and 3 below—where the top of the Hanger Brackets will align—using the "x" and "y" dimensions included with your art piece.



ATTACH BRACKETS TO WALL

Attach Top and Bottom Hanger Brackets to wall studs with screws following your layout. Shift Hanger Brackets from side to side to line up holes with studs.



HANG UP YOUR PIECE

Hang your Weave Art by placing the Mounting Channels above the Hanger Brackets and sliding the piece down until channels and brackets fully engage and your Weave Art seats stable.

* Drawings above not to scale.

rev. 08/2012