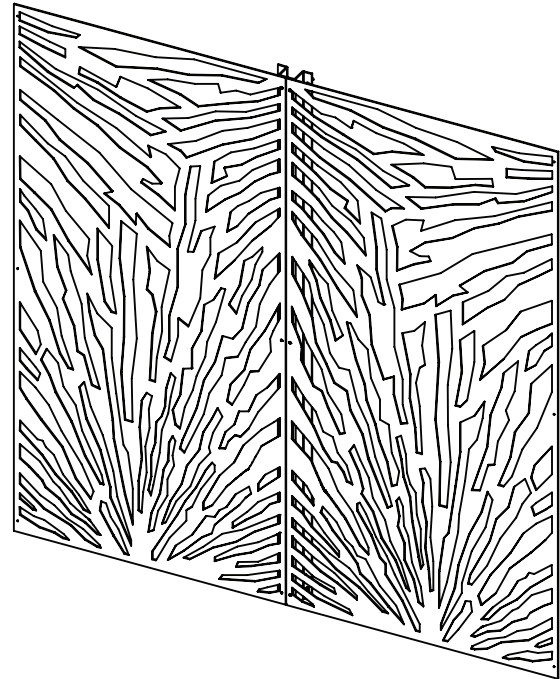
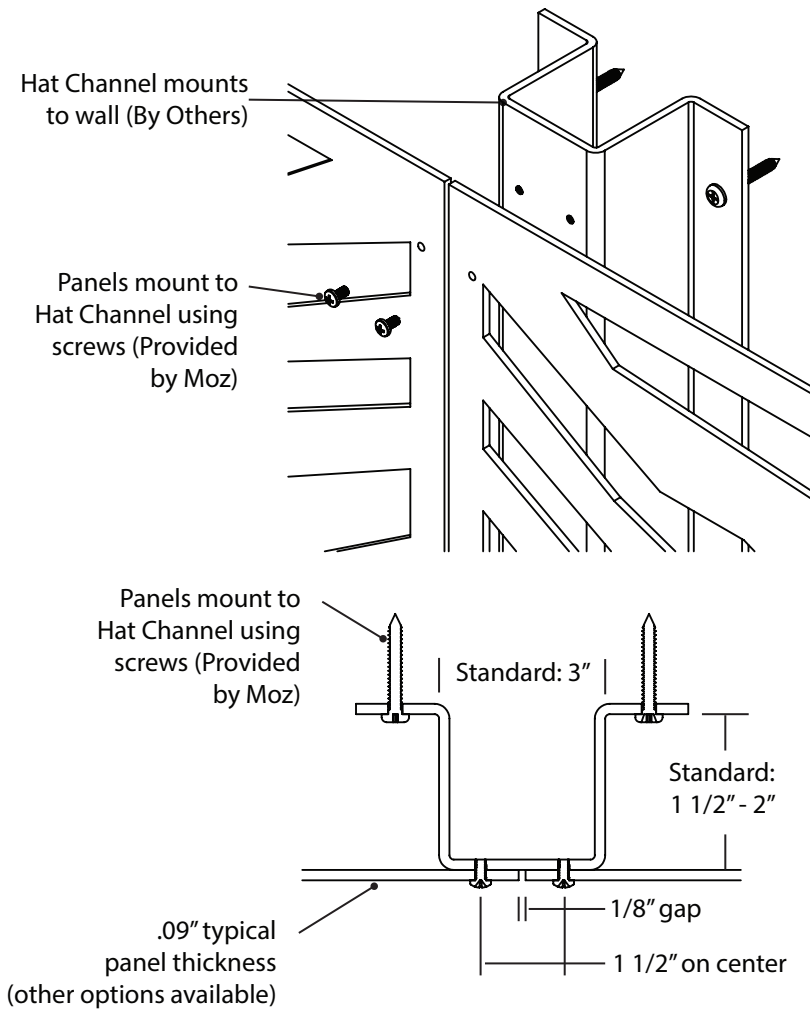


Móz Wall & Ceiling Panel System - MT-1

Hat Channel Mounting for Wall and Ceiling Applications



This is the most cost-effective and easiest to install system that Moz provides. It can be applied to both Wall and Ceiling applications. Hardware can be made painted to match to help them almost unnoticeable.



Standard Features

- Complete engineered system, packaged and shipped ready to install
- Decorate your panels with any of our Classic colors and grains
- Protective finishes are available, with gloss and satin options
- Horizontal or vertical installation

Custom Features

- Custom Perforated or Laser Cut Patterns using Aluminum and Stainless Steel base materials also available
- Custom sizes and color matching available
- Design and fabrication for exterior applications available
- Custom panel shapes

Applications

- Healthcare
- Hospitality
- Transportation
- Corporate
- Institutional
- Remodels
- Tenant Improvements
- New Construction

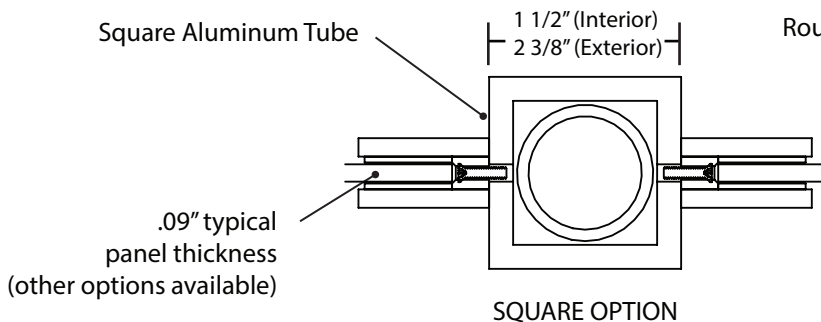
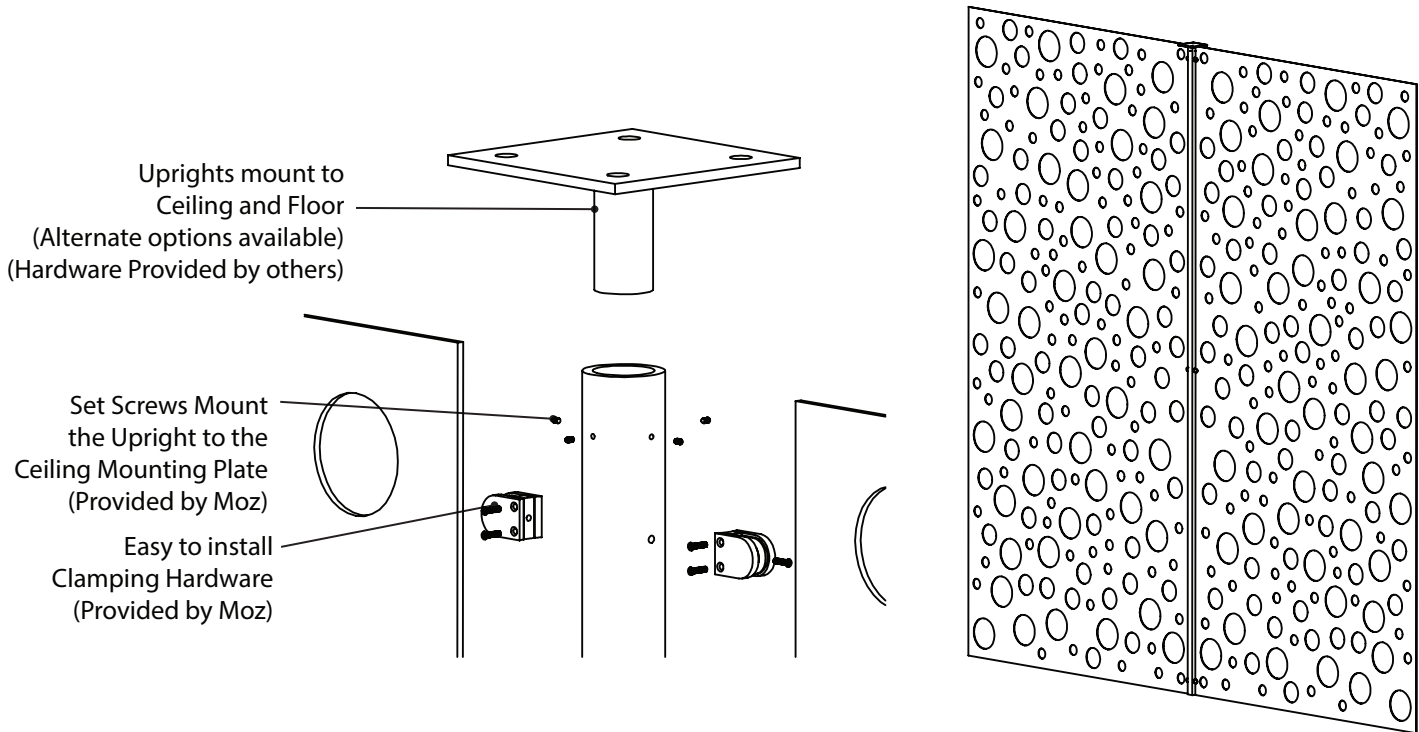
Date: 8/21/2018

Móz Wall Panel System - MT-3

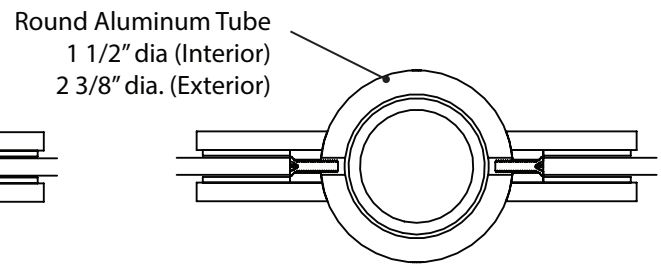
Clamp on Post for Divider Wall Applications



This system is typically used as a divider wall solution in either interior or exterior environments. Easy to install clamping hardware and floor-to-ceiling height adjustment makes this one of our most popular selections.



SQUARE OPTION



ROUND OPTION

Standard Features

- Complete engineered system, packaged and shipped ready to install
- Decorate your panels with any of our Classic colors and grains
- Protective finishes are available, with gloss and satin options
- Round and Square Upright applications available.

Custom Features

- Custom Perforated or Laser Cut Patterns using Aluminum and Stainless Steel base materials also available
- Custom sizes and color matching available
- Design and fabrication for exterior applications available

Applications

- Healthcare
- Hospitality
- Transportation
- Corporate
- Institutional
- Remodels
- Tenant Improvements
- New Construction

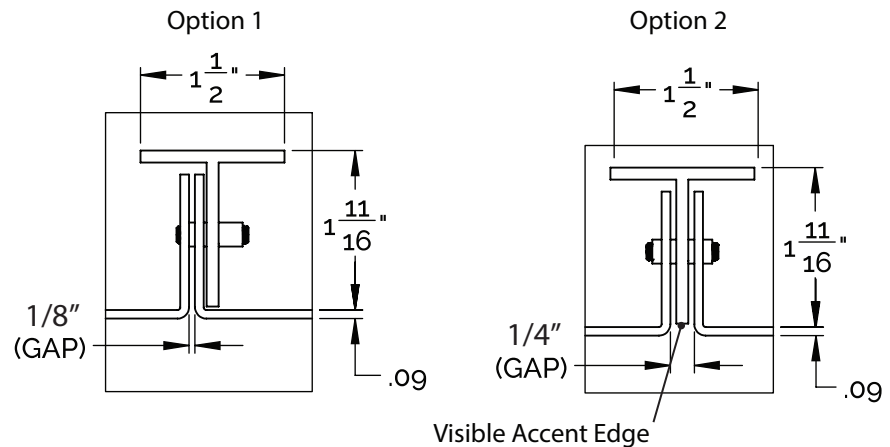
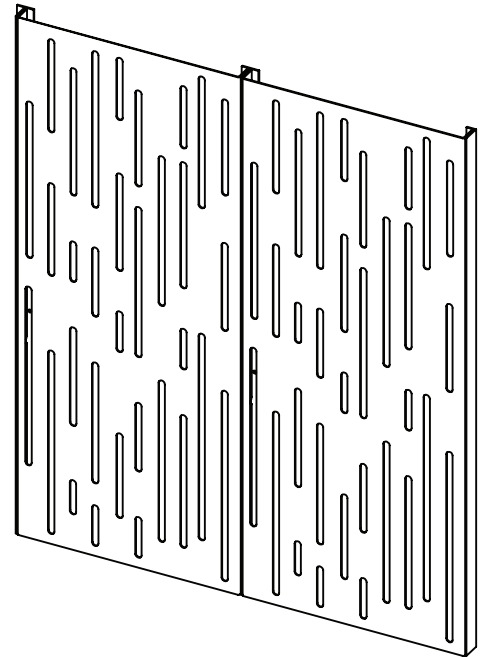
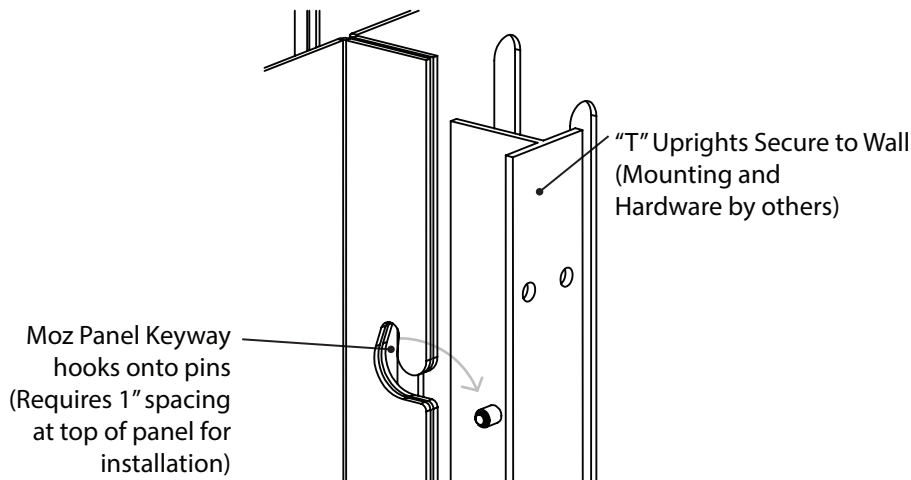
Date: 8/21/2018

Móz Wall Panel System - MT-6

Mounting System for Wall Applications



This system can be used in both interior and exterior applications. Simply mount the "T" Uprights to the wall using a Moz provided template and then just hook your panels on to the Moz provided pins. This versatile system allows for two aesthetic options (visible accent edge & minimal visual gap), invisible hardware and back-lighting.



Standard Features

- Complete engineered system, packaged and shipped ready to install
- Decorate your panels with any of our Classic colors and grains
- Protective finishes are available, with gloss and satin options.

Custom Features

- Custom Perforated or Laser Cut Patterns using Aluminum and Stainless Steel base materials also available
- Custom sizes and color matching available

Applications

- Healthcare
- Hospitality
- Transportation
- Corporate
- Institutional
- Remodels
- Tenant Improvements
- New Construction

Date: 8/21/2018