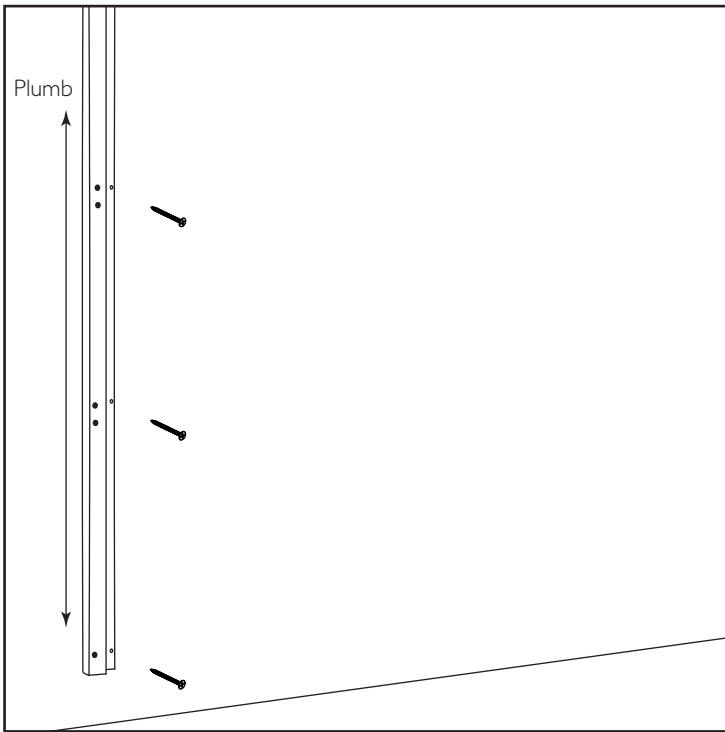
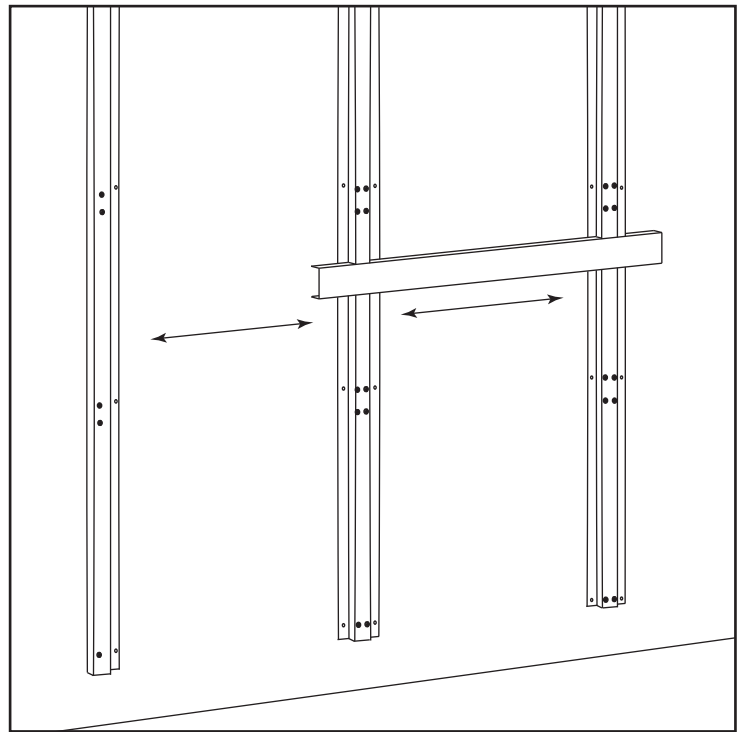


Móz Wall Panel System - Keyway

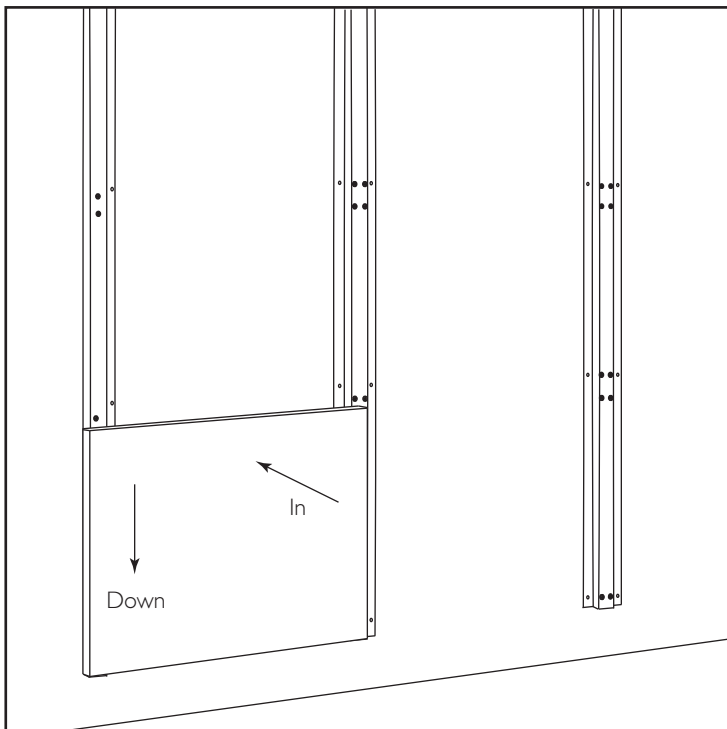
Installation Instructions



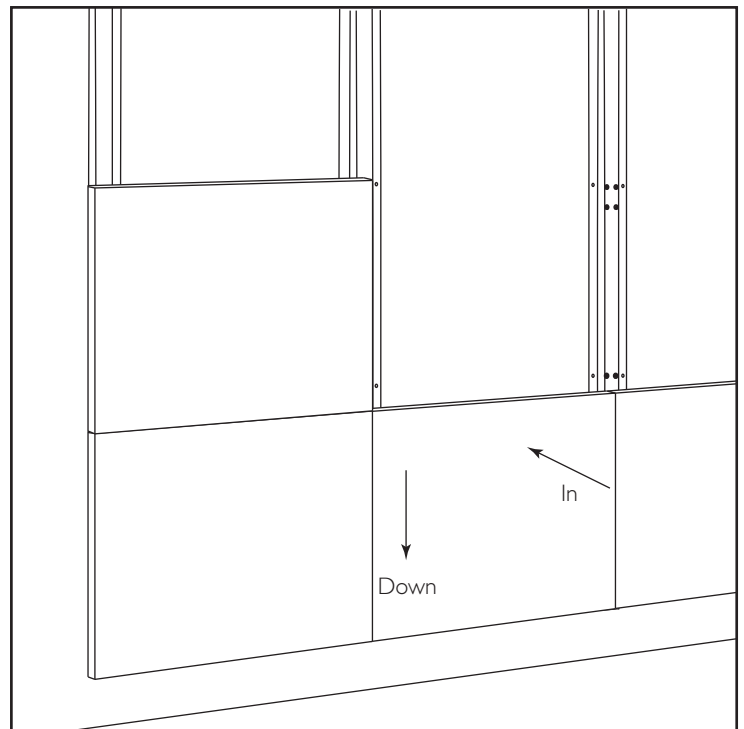
A. Locate starting point and install the first key bar with screws, Plumb and true.



B. Using the supplied spacer, for alignment, install the remaining key bars.



C. Install the first bottom end panel onto keybar by aligning key bar tabs with keyway holes in panel and pushing in and down to lock panel onto key bars.



D. Complete the installation by locking panels onto the key bars one on top of another until installation is complete.