

Móz Dividers (with Posts or Cables)

RFQ - Request for Quote



CONTACT INFORMATION

Company: _____

Name: _____

Address: _____

City, State: _____ Zip: _____

Phone: _____ Fax: _____

Email: _____

PROJECT INFORMATION

Date: _____

Job Name: _____

City/State: _____

Install Date: _____ Bid Due Date: _____

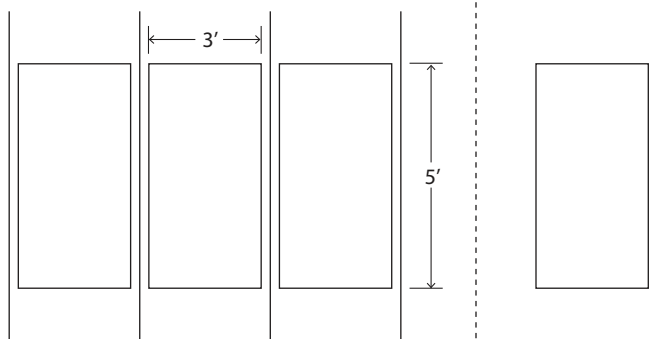
Ship To (Zip Code): _____

Arch/Designer: _____

9' x 5' Kit -

Standard 3-panel kit.
3' wide x 5' high panels

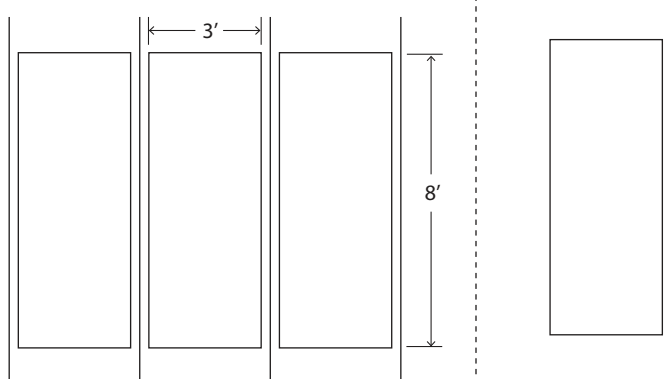
5' add-on panels



9' x 8' Kit -

Standard 3-panel kit.
3' wide x 8' high panels

8' add-on panels



Features:

- Standard 3-panel kits available in 5' and 8' panel heights. Each panel is 3' wide and double-sided.
- Includes all attachments - Cables/Posts, grippers and brackets for affixing floor to ceiling (posts are 2" in diameter with a brushed finish).

SIZES

Standard Size Quantity	9' x 5' 3-panel Kit (three panels 3'x5' with attachments)	
	3' x 5' add on panel(s)	
	9' x 8' 3-panel Kit (panel 3'x8' with attachments)	
	3' x 8' add on panel(s)	
Custom Size(s): (4'x8' max size)		

MOUNTING STYLE

Ceiling Height		
Attachment Style	<input type="checkbox"/> Cable <input type="checkbox"/> Post (square) Direct Mount <input type="checkbox"/> Post (square) Grippers <input type="checkbox"/> Post (square) Angle Mount <input type="checkbox"/> Frame	<input type="checkbox"/> Post (round) Gripper
Post or Frame Color options	<input type="checkbox"/> Satin Aluminum (standard) <input type="checkbox"/> Color match	

PANEL DESIGN

Material	<input type="checkbox"/> Solid Aluminum <input type="checkbox"/> Engravings	<input type="checkbox"/> Laser Cut <input type="checkbox"/> Other	<input type="checkbox"/> Perforated
Pattern (perf, laser, engravings)			
Color/Grain			
Finish			

OTHER CUSTOM OPTIONS

<input type="checkbox"/> Curved <input type="checkbox"/> Freestanding <input type="checkbox"/> Weave <input type="checkbox"/> Exterior
Comments:

rev. 7/2022