

Móz CC 150 series Square Column Covers

Technical Information

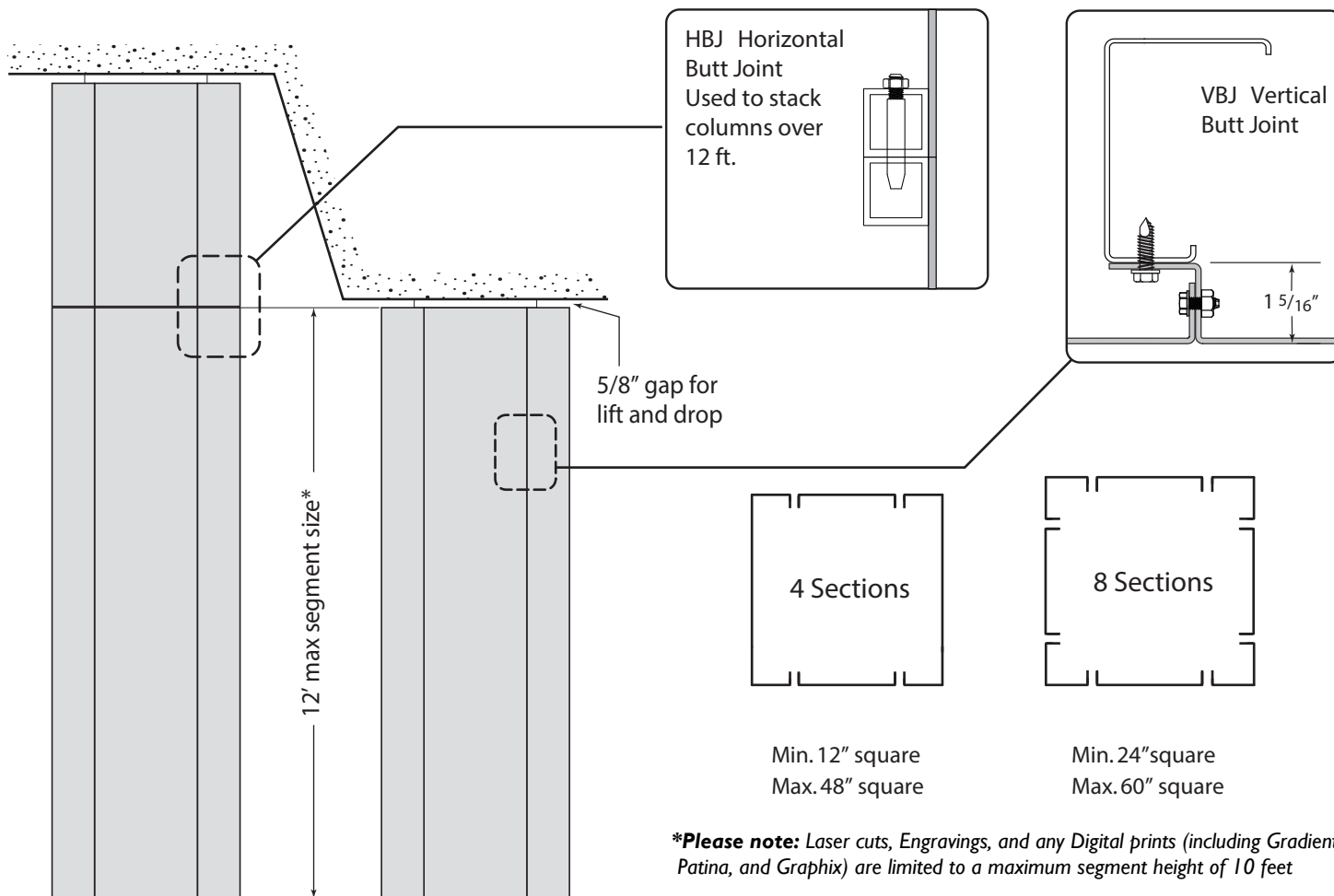
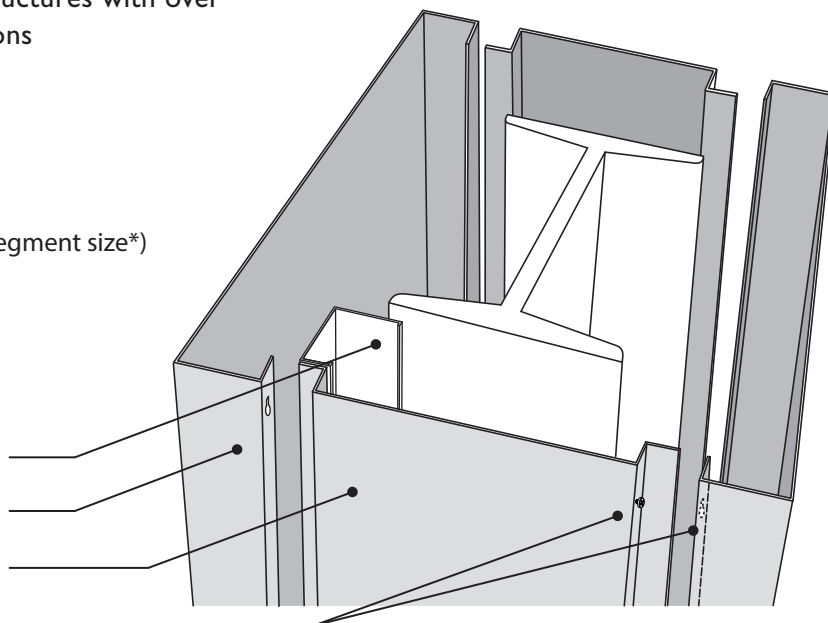


Easy to assemble Column Covers by Móz Designs offers an affordable and quick solution to cover unsightly support structures with over 500 unique Móz Metal Color & Grain combinations

STANDARD FEATURES

- Pre-formed & finished .090" Aluminum
- Varying sizes with vertical butt joints (VBJ)
- C over any height using stacked segments. (12' max segment size*)
- No joint caulking required for interior applications
- Ready to anchor to metal studs (by others)
- Unique Móz Color & Grain options

Metal Stud (by others)
 Drop side (key slot attachment to anchor)
 Anchor side (fastened to stud)
 Key Slot System



***Please note:** Laser cuts, Engravings, and any Digital prints (including Gradients, Patina, and Graphix) are limited to a maximum segment height of 10 feet

rev. 1/2025

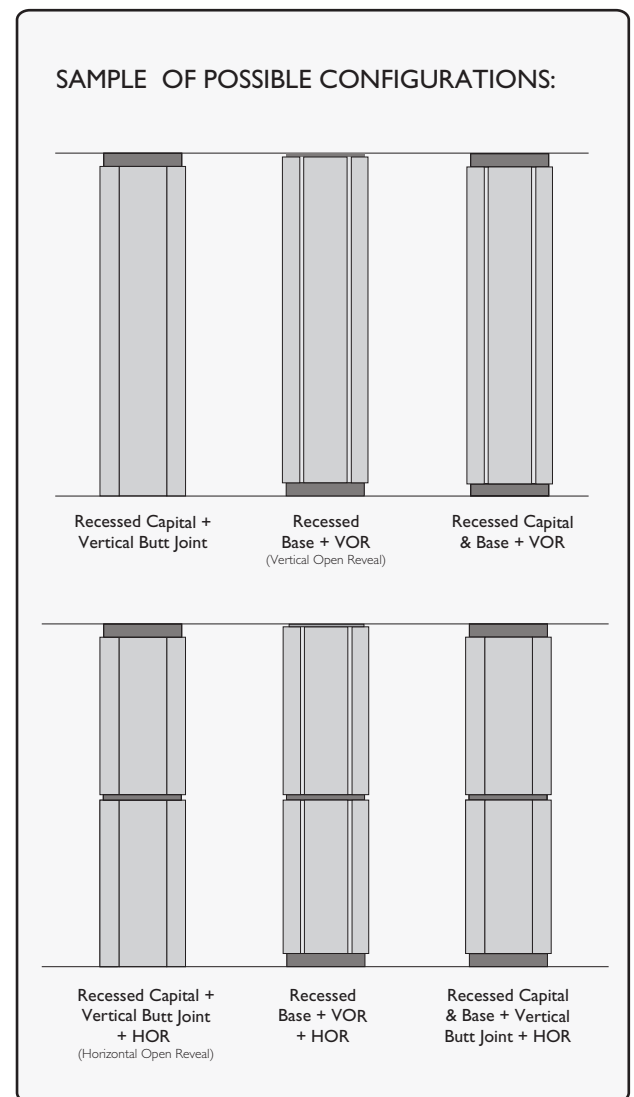
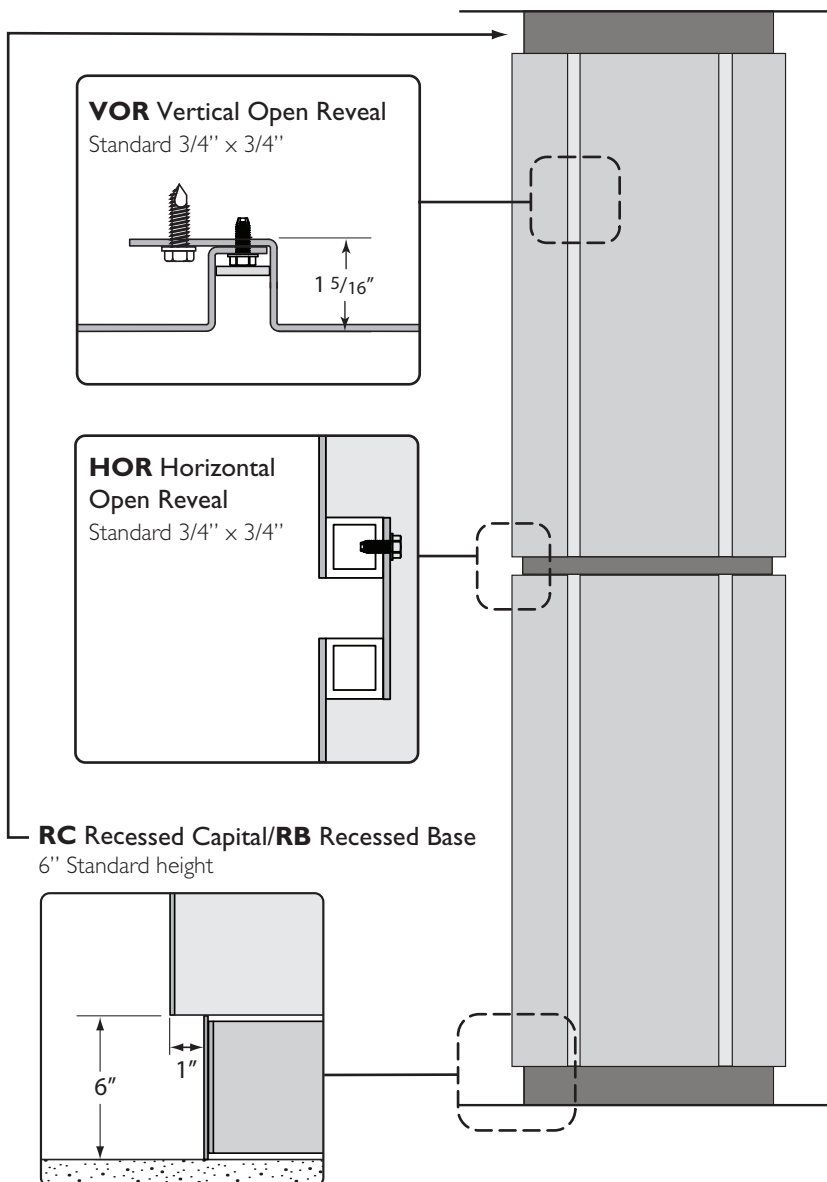
Móz CC 150 series Square Column Covers

Technical Information



OPTIONAL ADD-ONS

- Open reveals (Horizontal & Vertical)
- Recessed Base and Capital
- 18ga Stainless Steel
- Exterior finishes



rev. 1/2025