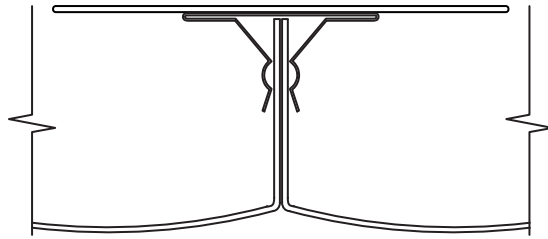
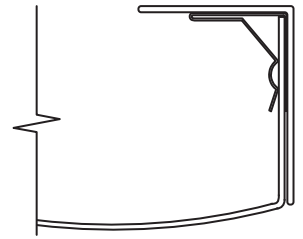


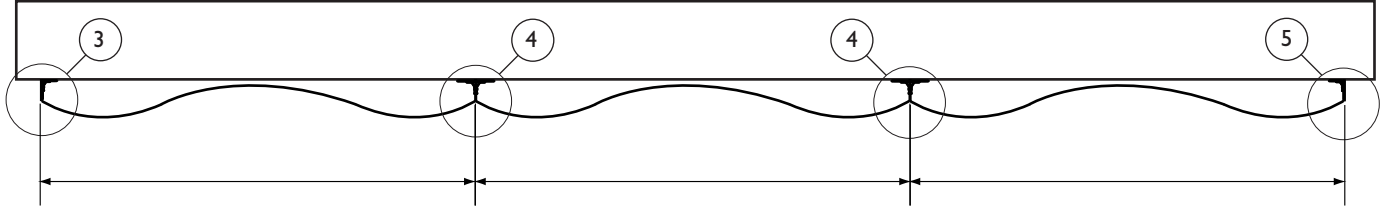
3 END SNAP BAR



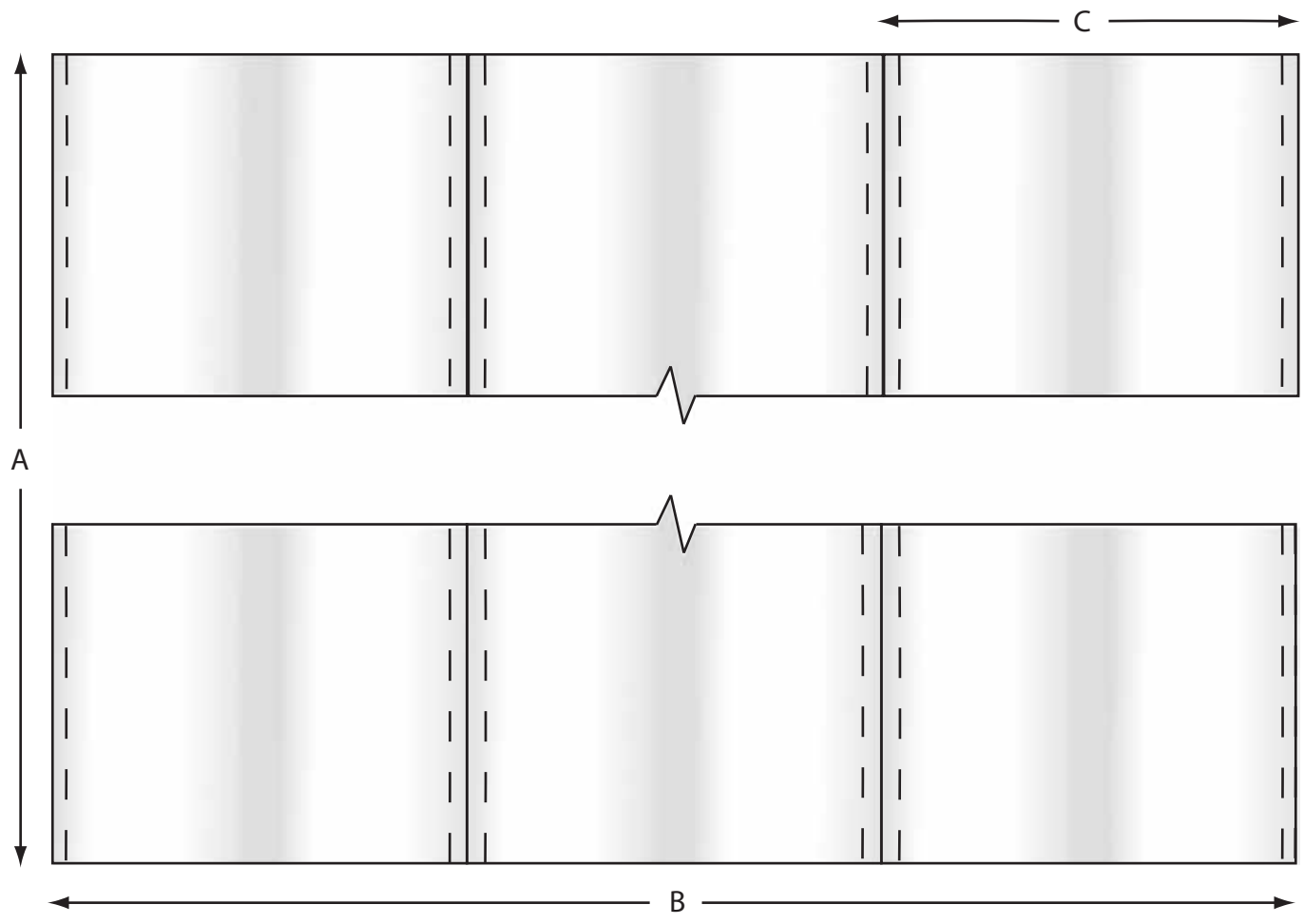
4 MID SNAP BAR



5 END SNAP BAR



2 BREAKING WAVES SECTION



1 BREAKING WAVES ELEVATION  
(Vertical Orientation)

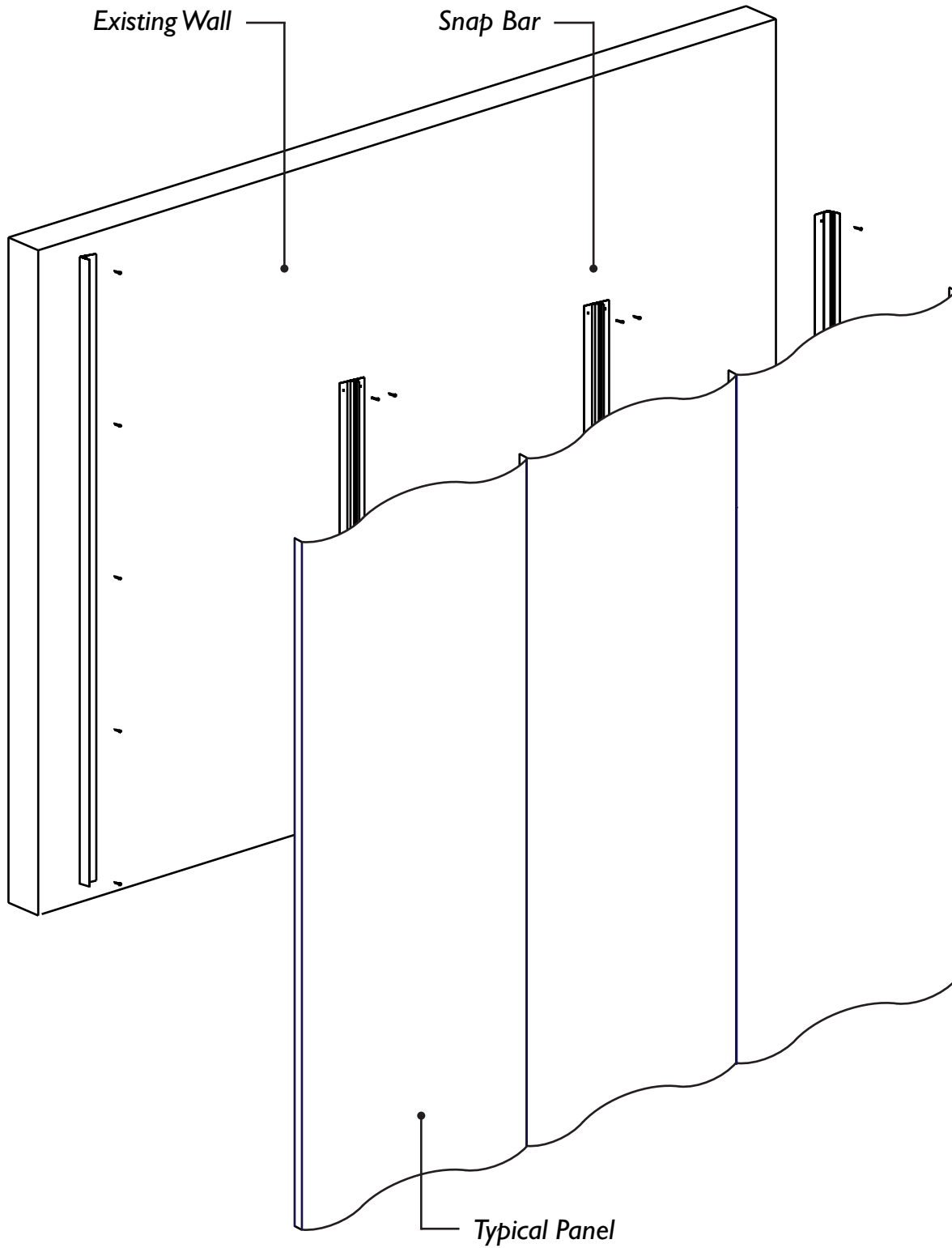


TITLE: **Breaking Waves Typical Details**  
 PROJECT: **Moz Tides Breaking Waves Panels**

Date: 2/15/2010  
 Drawn By: MS  
 Scale: None Sheet: 1 OF 1  
 Arch Scale: None  
 Job No.: TBW pdf

**SK - 1**

Revision: 1.0



**6** BREAKING WAVES EXPLODED VIEW  
(Vertical Orientation)



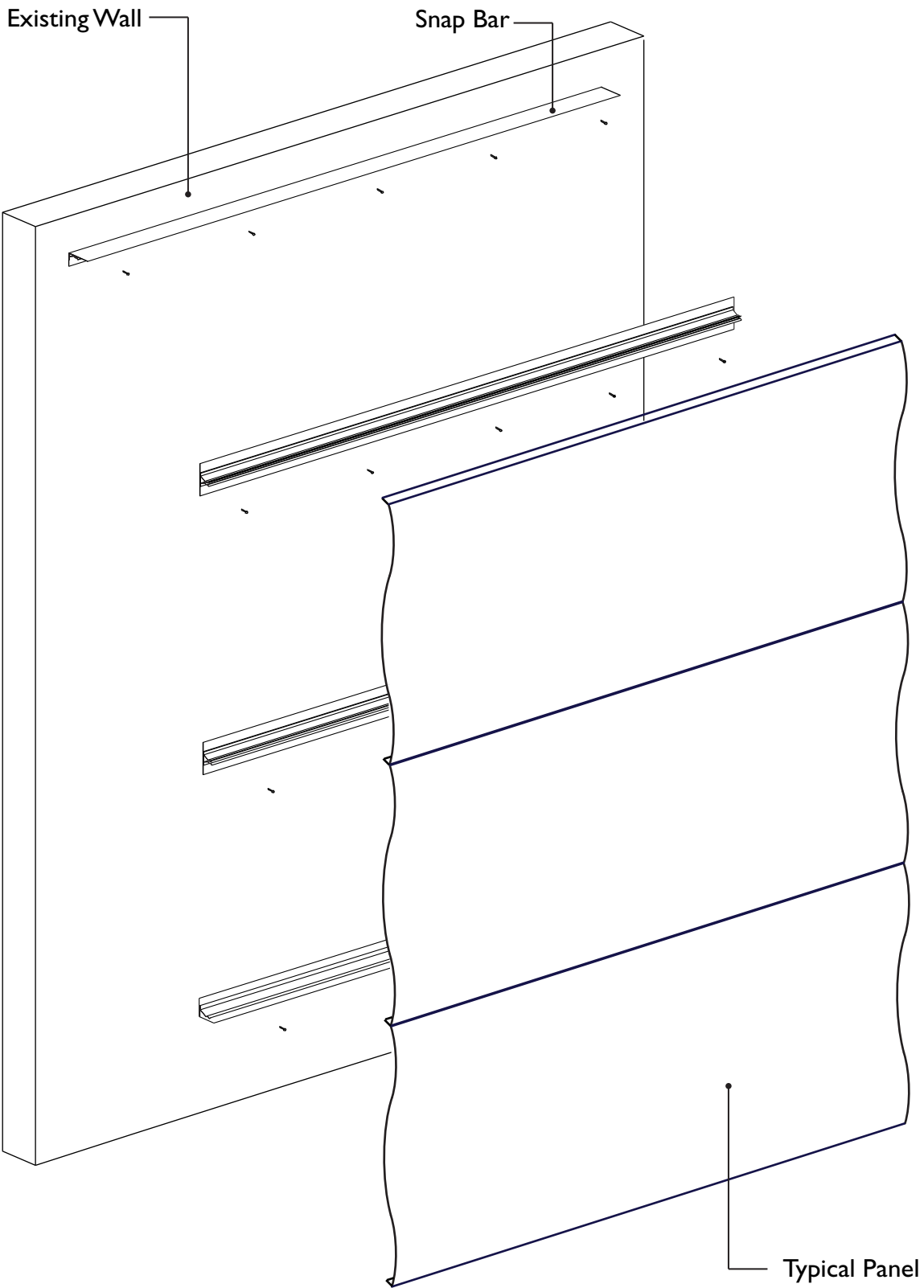
TITLE:  
**Breaking Waves Typical Details**

PROJECT:  
**Moz Tides Breaking Waves Panels**

Date: 2/15/2010  
 Drawn By: MS  
 Scale: None      Sheet: | OF |  
 Arch Scale: None  
 Job No.: TBW pdf

**SK - 2**

Revision: 1.0



**7** BREAKING WAVES EXPLODED VIEW  
(Horizontal Orientation)



510-632-0853 x34  
7111 Kevin Ct. Oakland, CA 94621

TITLE:  
**Breaking Waves Typical Details**  
PROJECT:  
**Moz Tides Breaking Waves Panels**

Date: 2/15/2010  
 Drawn By: MS  
 Scale: None Sheet: | OF |  
 Arch Scale: None  
 Job No.: TBW pdf

**SK - 3**

Revision: 1.0